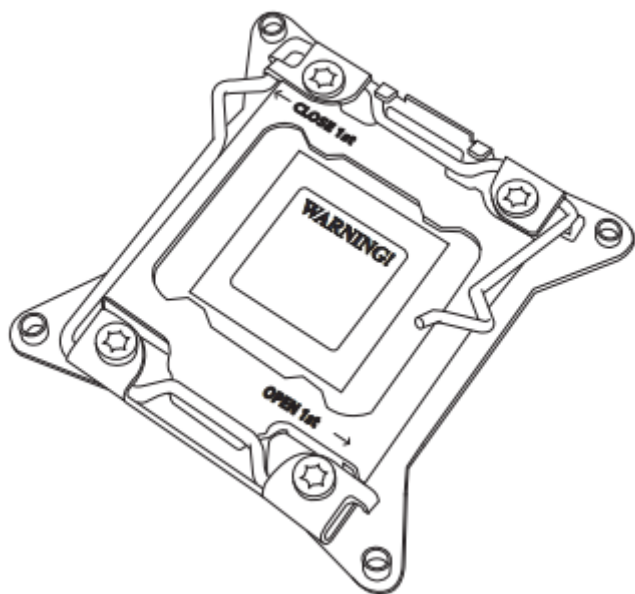


BZS-Q252614 系列服务器安装升级指南

一、BZS-Q252614 系列服务器升级 CPU 操作方法：

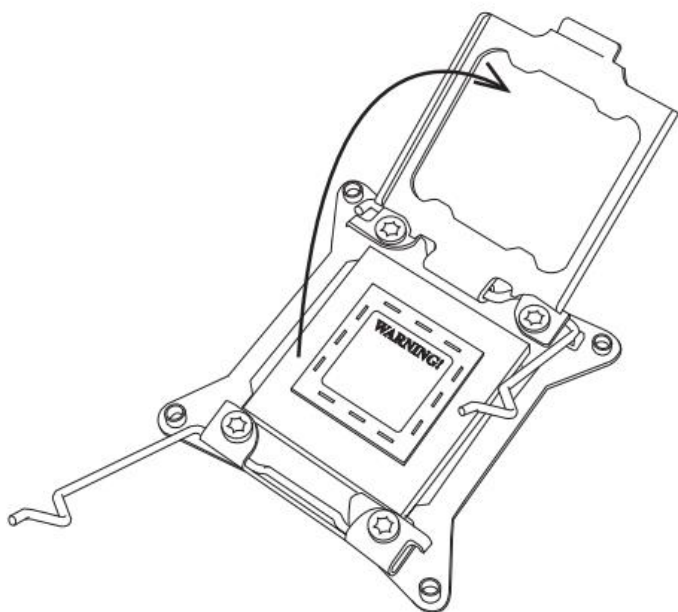
1、准备配件：散热片、CPU

2、打开 CPU 固定杆

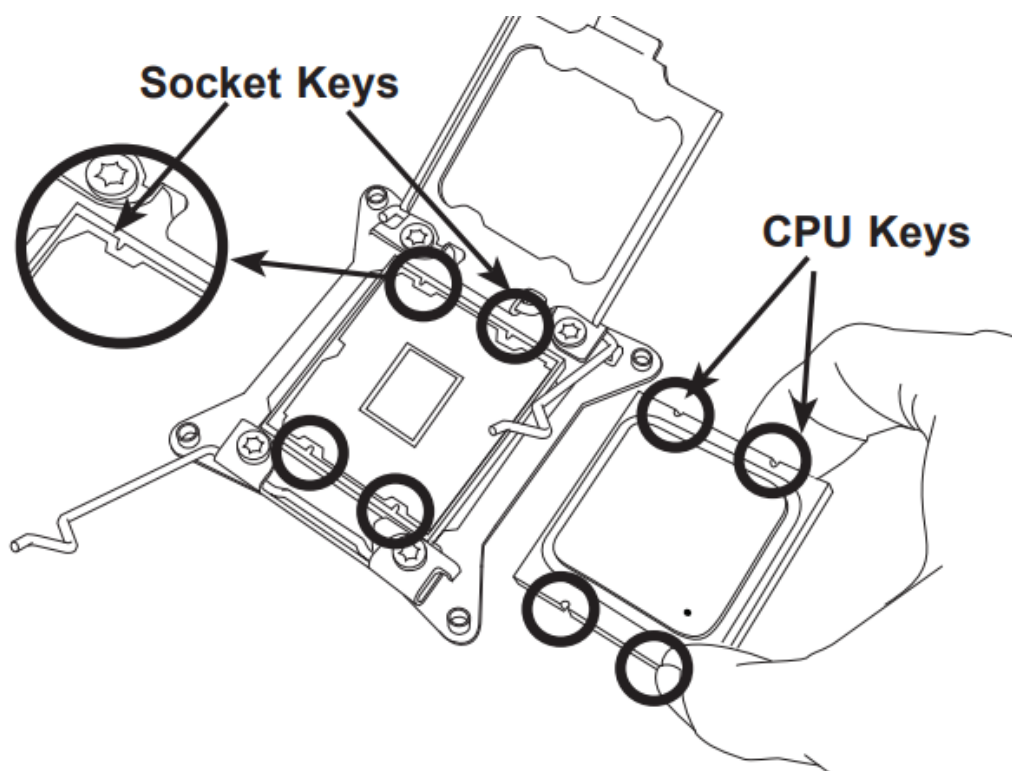


注意：首先打开标有 OPEN 1ST杆，然后再打开 CLOSE 1ST.杆

3、打开 CPU 底座上盖

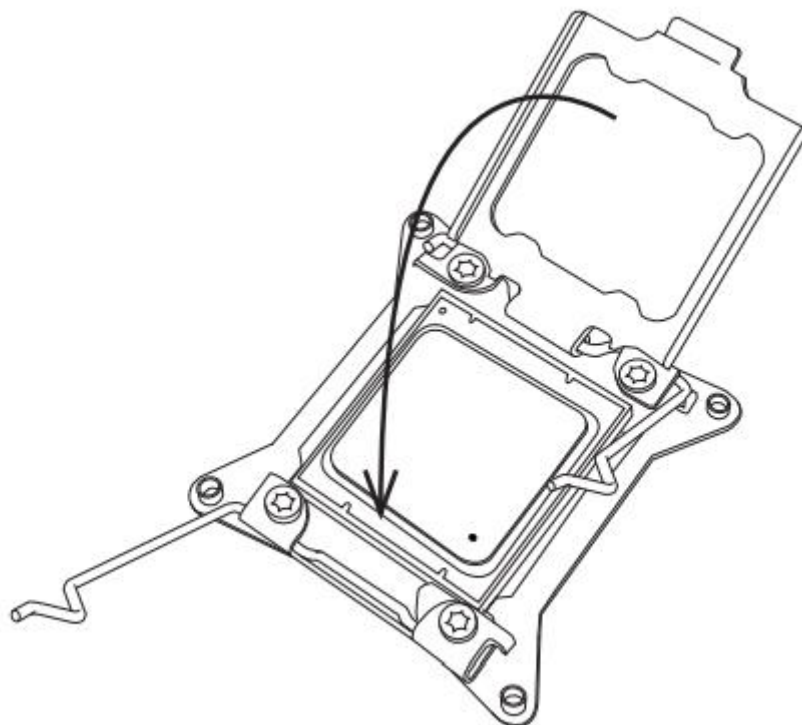


4、安装 CPU

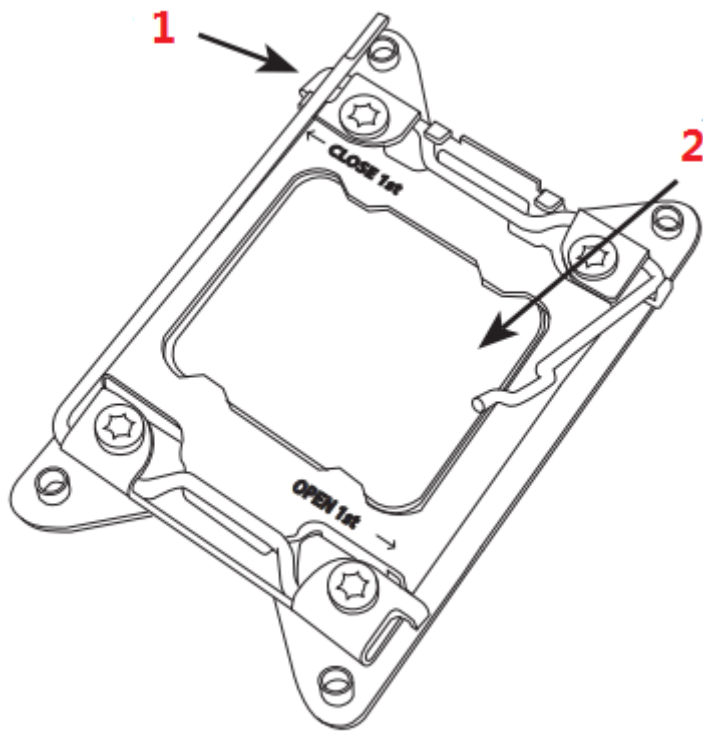


注意：CPU 上的豁口与 CPU 底座要一致。

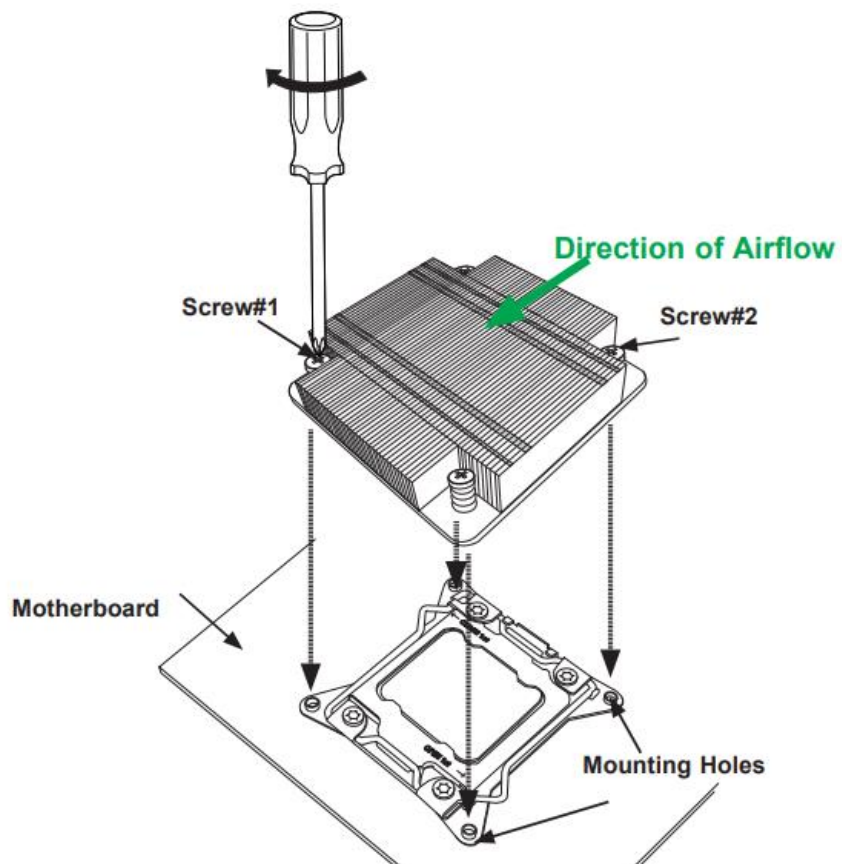
5、关闭 CPU 底座上盖。



6、首先关闭 CLOSE 1ST 杆，然后再关闭 OPEN 1ST 杆。

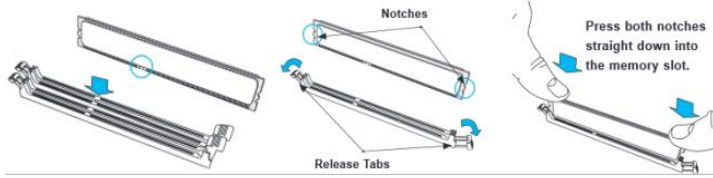


7、安装散热片。



二、BZS-Q252614 系统服务器升级内存操作方法：

1、安装时注意内存豁口与防呆口位置对应，打开内存固定卡扣，放入内存垂直按下，直到内存固定卡扣自动锁定。



2、只升级 CPU1 的内存操作方法：

1CPU & 1DIMM	P1-DIMM A0							
1CPU & 2DIMM	P1-DIMM A0	P1-DIMM B0						
1CPU & 3DIMM	P1-DIMM A0	P1-DIMM B0	P1-DIMM C0					
1CPU & 4DIMM	P1-DIMM A0	P1-DIMM B0	P1-DIMM C0	P1-DIMM D0				
1CPU & 5DIMM	P1-DIMM A0	P1-DIMM B0	P1-DIMM C0	P1-DIMM D0	P1-DIMM E0			
1CPU & 6DIMM	P1-DIMM A0	P1-DIMM B0	P1-DIMM C0	P1-DIMM D0	P1-DIMM E0	P1-DIMM F0		
1CPU & 7DIMM	P1-DIMM A0	P1-DIMM B0	P1-DIMM C0	P1-DIMM D0	P1-DIMM E0	P1-DIMM F0	P1-DIMM A1	
1CPU & 8DIMM	P1-DIMM A0	P1-DIMM B0	P1-DIMM C0	P1-DIMM D0	P1-DIMM E0	P1-DIMM F0	P1-DIMM A1	P1-DIMM B1

此表每行代表一条内存，只升级 CPU1 的内存请按此表对应主板 DIMM 槽标法安装。

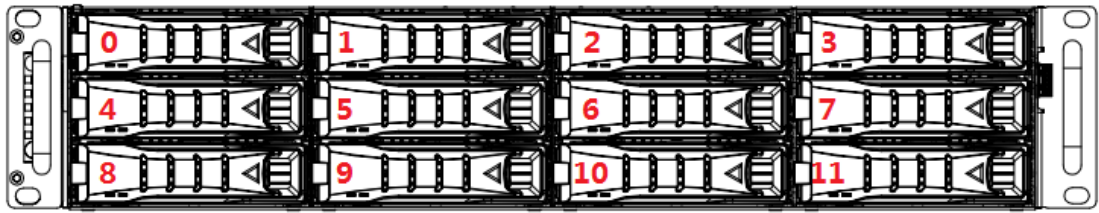
3、升级 CPU2 的内存操作方法：

2CPU & 2DIMM	P1-DIMM A0							
	P2-DIMM A0							
2CPU & 4DIMM	P1-DIMM A0	P1-DIMM B0						
	P2-DIMM A0	P2-DIMM B0						
2CPU & 6DIMM	P1-DIMM A0	P1-DIMM B0	P1-DIMM C0					
	P2-DIMM A0	P2-DIMM B0	P2-DIMM C0					
2CPU & 8DIMM	P1-DIMM A0	P1-DIMM B0	P1-DIMM C0	P1-DIMM D0				
	P2-DIMM A0	P2-DIMM B0	P2-DIMM C0	P2-DIMM D0				
2CPU & 10DIMM	P1-DIMM A0	P1-DIMM B0	P1-DIMM C0	P1-DIMM D0	P1-DIMM E0			
	P2-DIMM A0	P2-DIMM B0	P2-DIMM C0	P2-DIMM D0	P2-DIMM E0			
2CPU & 12DIMM	P1-DIMM A0	P1-DIMM B0	P1-DIMM C0	P1-DIMM D0	P1-DIMM E0	P1-DIMM F0		
	P2-DIMM A0	P2-DIMM B0	P2-DIMM C0	P2-DIMM D0	P2-DIMM E0	P2-DIMM F0		
2CPU & 14DIMM	P1-DIMM A0	P1-DIMM B0	P1-DIMM C0	P1-DIMM D0	P1-DIMM E0	P1-DIMM F0	P1-DIMM A1	
	P2-DIMM A0	P2-DIMM B0	P2-DIMM C0	P2-DIMM D0	P2-DIMM E0	P2-DIMM F0	P2-DIMM A1	
2CPU & 16DIMM	P1-DIMM A0	P1-DIMM B0	P1-DIMM C0	P1-DIMM D0	P1-DIMM E0	P1-DIMM F0	P1-DIMM A1	P1-DIMM B1
	P2-DIMM A0	P2-DIMM B0	P2-DIMM C0	P2-DIMM D0	P2-DIMM E0	P2-DIMM F0	P2-DIMM A1	P2-DIMM B1

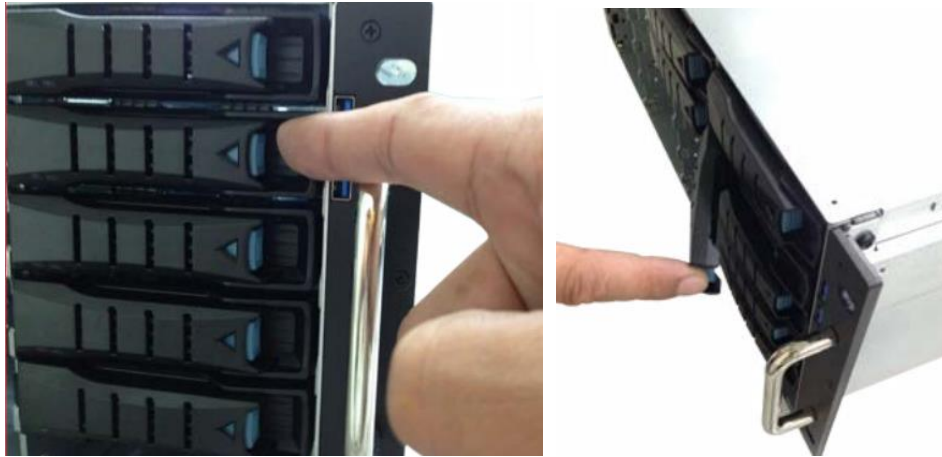
同 CPU1 一样，每行上面是 CPU1 内存对应插法，下面是 CPU2 内存对应插法。

三、BZS-Q252614 系统服务器升级硬盘操作方法：

1、硬盘排序如下图：



2、按蓝色卡扣，弹出硬盘盒拉手，取出硬盘盒。



3、二侧各用 2 颗 3.5 寸平头螺丝固定硬盘。

